

The Wood Rack

Newsletter of the Long Island Woodworkers' Club

February 1996

Volume 7 Number 6

Next Meeting -- February 7
Smithtown Barn
7:30 P.M.

Jigs, Fixtures, and Homemade Tools

Many of us have shared with each other jigs and fixtures that we have fabricated in order to complete a project. This sharing on a one-to-one basis should be expanded so that all of the Club's members can benefit.

All members are asked to bring in the jigs, fixtures, and tools that you have made. Bring in the ones that you may have brought in before because we have many new members. 30% of our membership is new.

The goal of this club meeting is to provide ideas and examples of things we have developed and found useful. We hope to have tables filled for all of our members to examine.

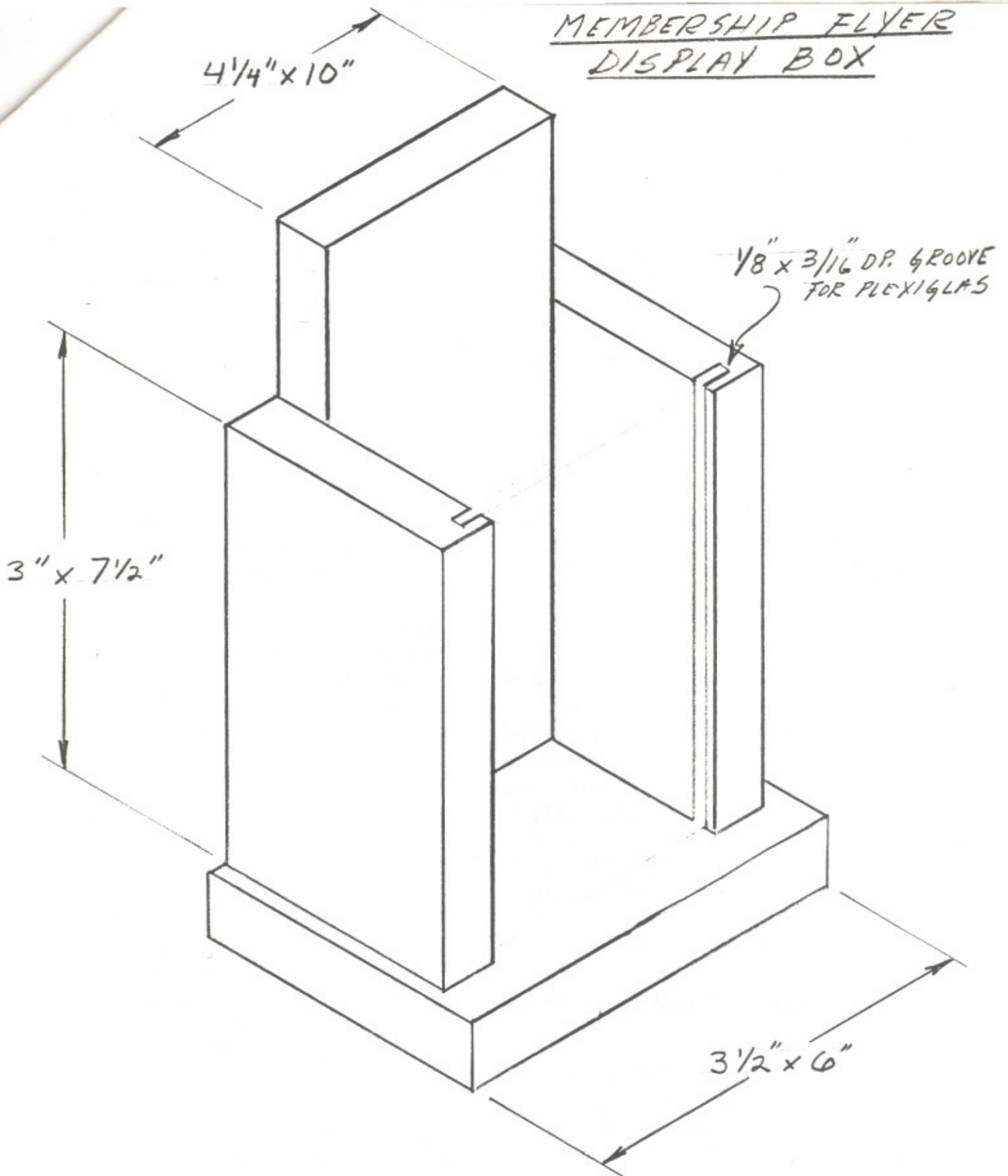
President's Message

I am very pleased to see the way the club is progressing. As of this writing we have 123 members, and we are growing every week. Never in the

history of the club have we had this many members. Let's keep up the good work by spreading the news about the club, and if you can, bring a friend to the meeting who has an interest in woodworking. We can still use more display boxes for our fliers. These boxes are being put in stores such as Woodworkers Warehouse, Armor Products, Dynamite Tools, etc. Bob Hall and myself knocked out nine in one night. They're very simple to make and do not have to be fancy. I've enclosed a sketch in the newsletter for anyone who feels he would like to make some. I can supply the Plexiglas front if you don't have any. We can use at least 20 more, so make as many as you can with whatever woods you prefer.

I see that Roger Schroeder's idea for having the Show and Tell before our guest speaker talks has really turned into a great source of information for our club members. We want to encourage more members to bring down projects that they've made, jigs that they've built, and tools that they've just recently bought, or just about anything in woodworking that they can share with their fellow club members. This gets everyone more personally involved with other club members by sharing their experiences and views on different aspects of woodworking. So

MEMBERSHIP FLYER
DISPLAY BOX



- ALL WOOD PIECES ARE $\frac{3}{4}''$ THK
- NAIL, SCREW OR GLUE BOX TOGETHER

at this next meeting let's see how many of you can bring an item that you can share with other club members.

Our thanks to Jackson Lowell for being Secretary, but because of personal reasons he has stepped down. We are looking for someone to fill this position until the end of August when a new slate of officers will be elected. If anyone is interested in this position, please feel free to call me or talk to me at the February meeting.

President: Bill Hermanek

Vice President (Program Chairman):
Howard Whitman

Treasurer: Joe Pascucci

Secretary: Vacant

Editor of Newsletter: Jim Cosgrove

Board Member: Roger Schroeder

Board Member: Brian Hayward

Book Librarian: Ken LeGrow

Tape Librarian: Joe Irving

Exhibition '96

Plans for Exhibition '96 are underway as the Executive Board continues to meet and discuss how to make this a memorable exhibition of our woodworking. The show is planned for Saturday, March 30, at the Barn, from 11 A.M. to 4 P.M. (We need to be out of the Barn by 5.)

The purpose of the exhibition? It's to promote the reputation of the club, find out what members have produced in their workshops, and show off what we make to the public. This will be the first of what we hope will become an

annual event.

What might you exhibit? If it's wood and can fit into the Barn, it is probably appropriate for the show. Clocks, cabinets, chests, turnings, toys, sculpture, indoor and outdoor furniture, are all candidates for the exhibition. There will be no jury to decide what is appropriate, nor will there be a competition.

We intend to provide transportation for pieces that won't fit into your vehicles, provide security for your woodwork, and we promise that you will not have to stay the day. You may, however, leave business cards near your items and hang around to promote your work.

What we need at this upcoming meeting is a list of who will participate. Bill Hermanek and I will be available early in the evening of this meeting to get your name and what you intend to display. And if you have something that is just impossible to have transported, then we may use the stage to display photos of your work.

Roger Schroeder, Trustee

To Meet or Not To Meet

This winter looks to have the makings of a snowy and icy one. Do we meet, then, or do we not? It is starting to snow or the roads seem to be icing up. What to do? Unfortunately, there is no phone at the Barn to reach someone. What we advise is that you call one of

these four people for information on whether we are having a monthly meeting:

Bill Hermanek 360-1216
Howard Whitman 586-5815
Roger Schroeder 691-2095
Joe Pascucci 385-1877

Of course, common sense should make the final decision. If you don't feel comfortable driving in inclement conditions, save your energy for the next meeting.

Market Place

Wood Lathe for sale. Unusual old model Sears that features an extension bed for turning extra long spindles. Many accessories at a good price. \$175.00 Contact Roger Schroeder, 691-2095.

Dovetail jig for sale. Never used. \$40.00. Contact Howard Whitman, 586-5815.

Porter Cable Plate Joiner, Model 555. Used, but still in good shape. Includes metal case. I'll throw in 200 #20 biscuits. Price \$100.00. Contact Jim Cosgrove, 781-4304.

Wanted. Any old Stanley Tool Co. planes, levels, rules, catalogs, advertising pieces ... pretty much anything that happens to deal with this company is wanted. Contact Bill Hermanek, 360-1216. Also selling a variety of antique and usable woodworking planes, levels, rules, scrapers, etc.

Wanted. Back issues of *Fine Woodworking* magazine, issues 10-16. Call Steve Abatzidis, 421-0657.

Planer for Sale. Older 12" Craftsman. Good shape. \$150.00. Call Charlie Felsen. 499-2087.

Band Saw for Sale. 10", 3 wheel Craftsman with stand. Call Bob Hall, 265-5345.

The Long Island Woodworkers' Club
c/o Jim Cosgrove
3570 Manchester Road
Wantagh, New York 11793-3011

First Class Mail